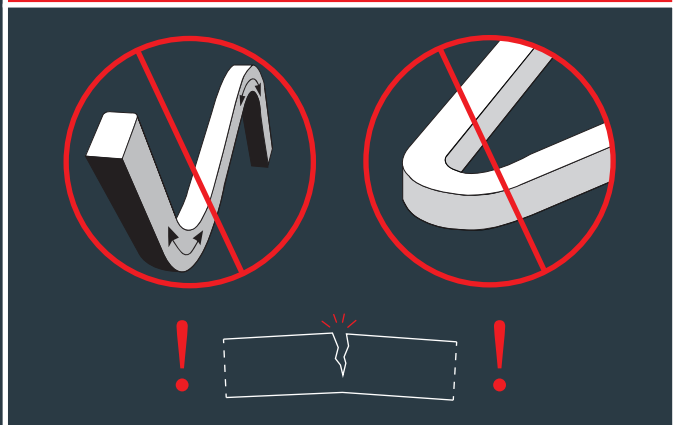
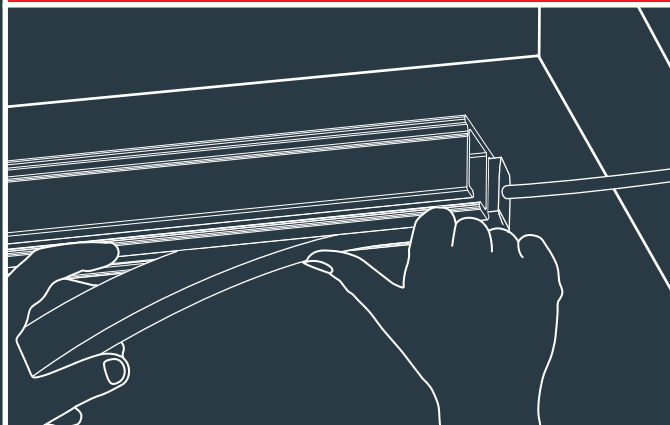


# USER TIPS

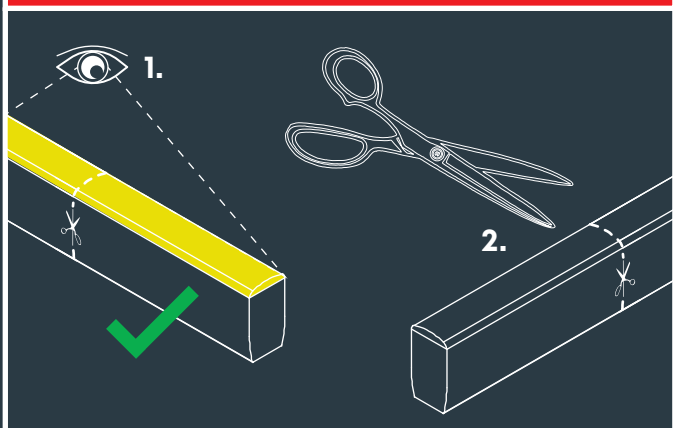
BEND HORIZONTALLY ONLY, NOT TOO SHARP  
(MAX. RADIUS 3 CM/1.18 INCH)



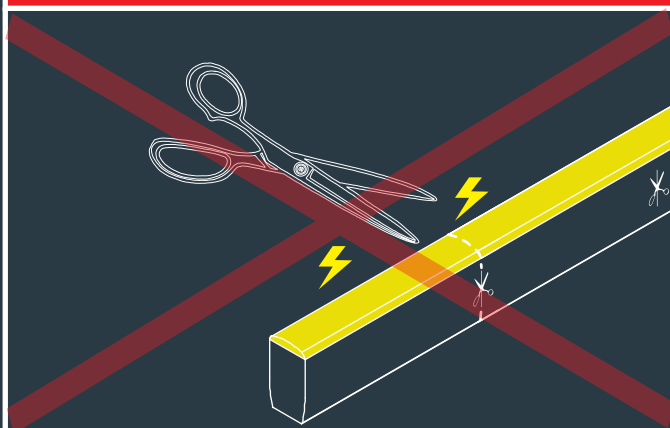
CAREFULLY REMOVE FROM THE  
PROFILE WITH TWO HANDS



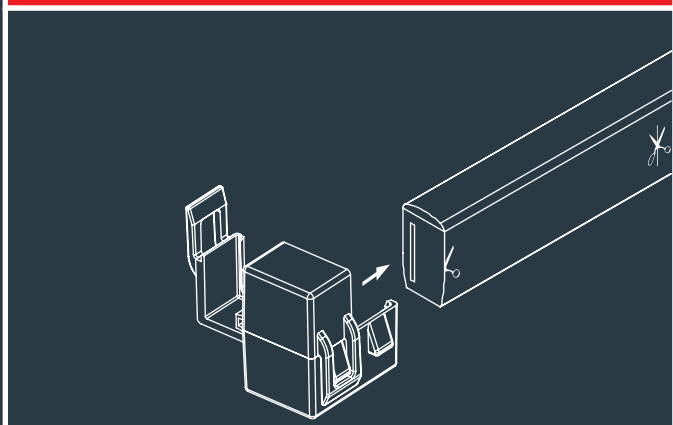
CUT ONLY ON INDICATED LINES AND CHECK  
PRIOR TO CUTTING THAT THE STRIP IS WORKING



NEVER CUT WHEN THE EVO FLEX IS ON



AFTER CUTTING THE EVO FLEX ALWAYS  
WITH SUPPLIED WATERLOCK



ALWAYS PLACE A DRIVER IN COMBINATION  
WITH THE EVO FLEX

